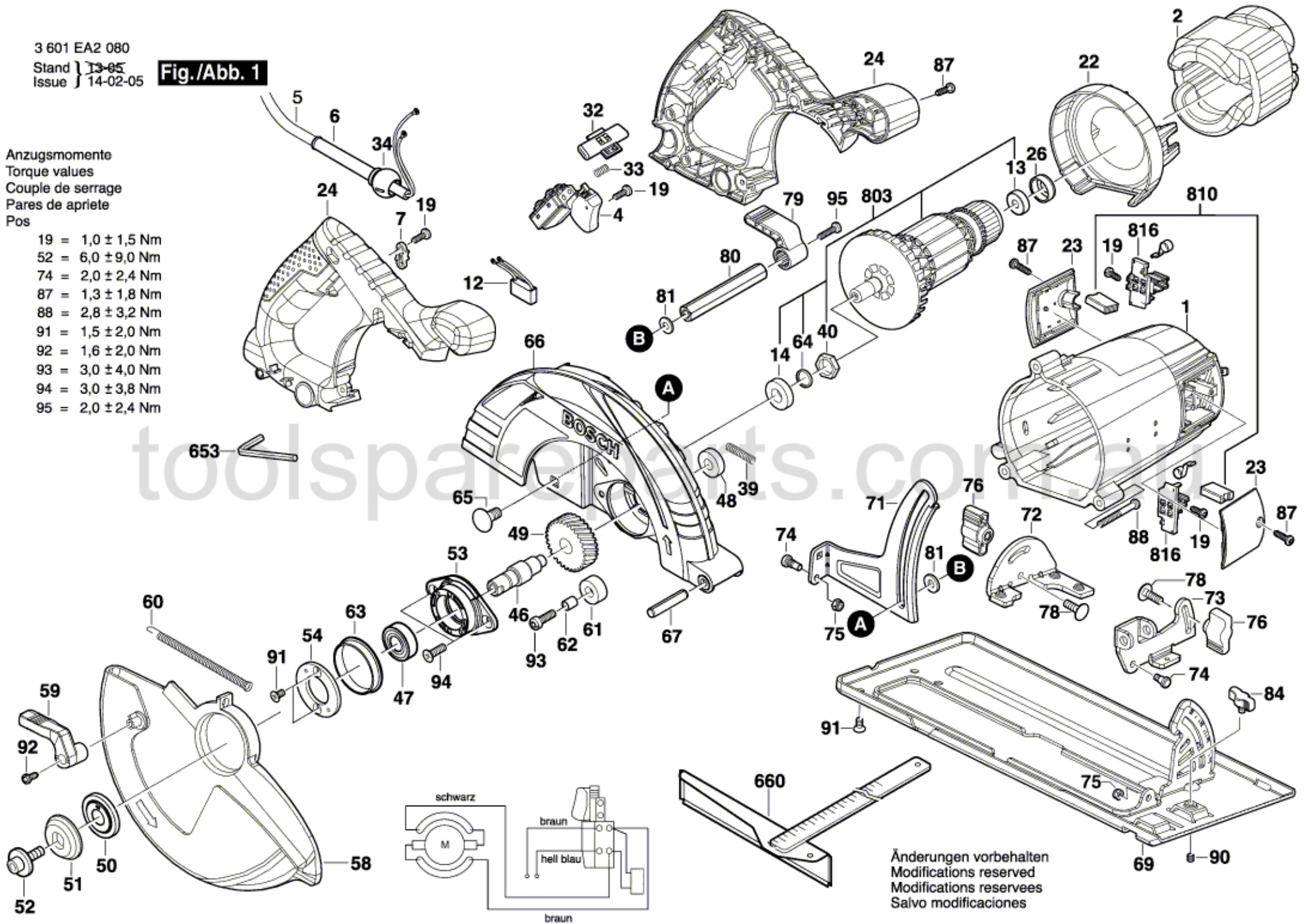


3 601 EA2 080  
 Stand 13-05  
 Issue 14-02-05

**Fig./Abb. 1**

Anzugsmomente  
 Torque values  
 Couple de serrage  
 Pares de apriete  
 Pos

- 19 = 1,0 ± 1,5 Nm
- 52 = 6,0 ± 9,0 Nm
- 74 = 2,0 ± 2,4 Nm
- 87 = 1,3 ± 1,8 Nm
- 88 = 2,8 ± 3,2 Nm
- 91 = 1,5 ± 2,0 Nm
- 92 = 1,6 ± 2,0 Nm
- 93 = 3,0 ± 4,0 Nm
- 94 = 3,0 ± 3,8 Nm
- 95 = 2,0 ± 2,4 Nm



Änderungen vorbehalten  
 Modifications reserved  
 Modifications reserves  
 Salvo modificaciones